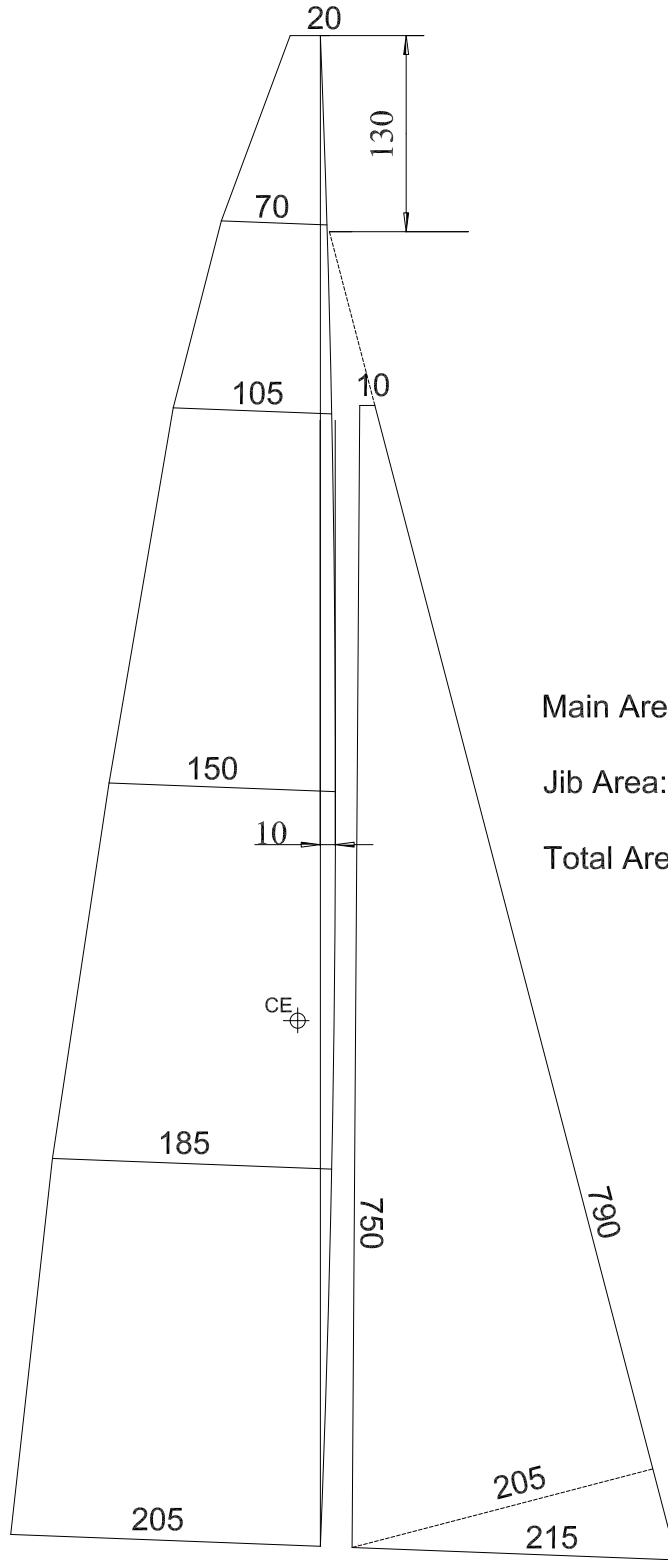


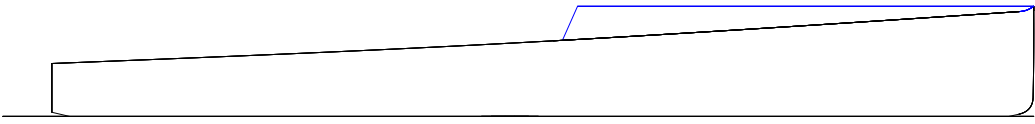
Max 1100



Main Area: 1396.9cm²

Jib Area: 847.3 cm²

Total Area: 2244.2 cm² 100%



RG - 65

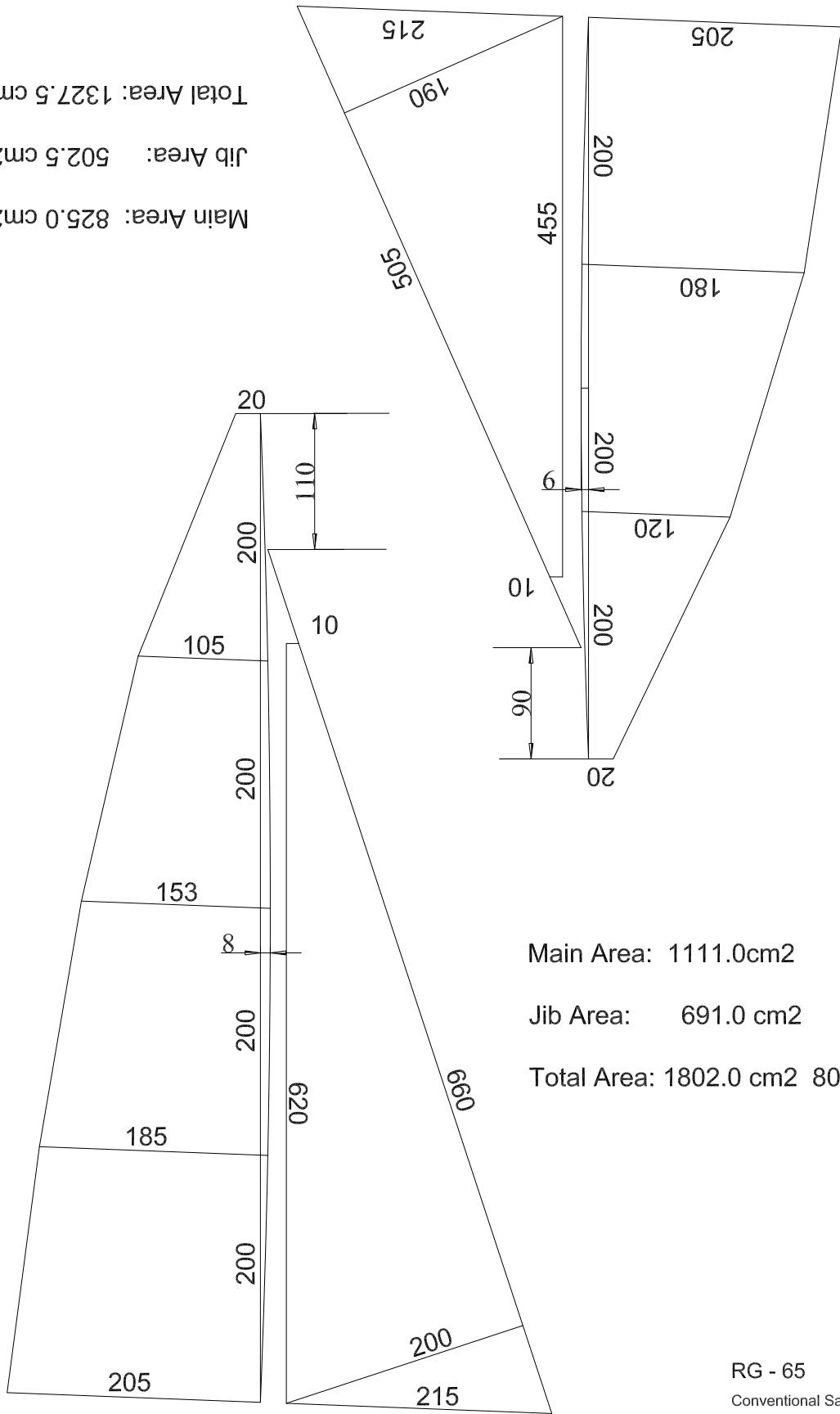
Conventional Sail Plan A

Scale 1:5

Dwg 1 of 4 161212

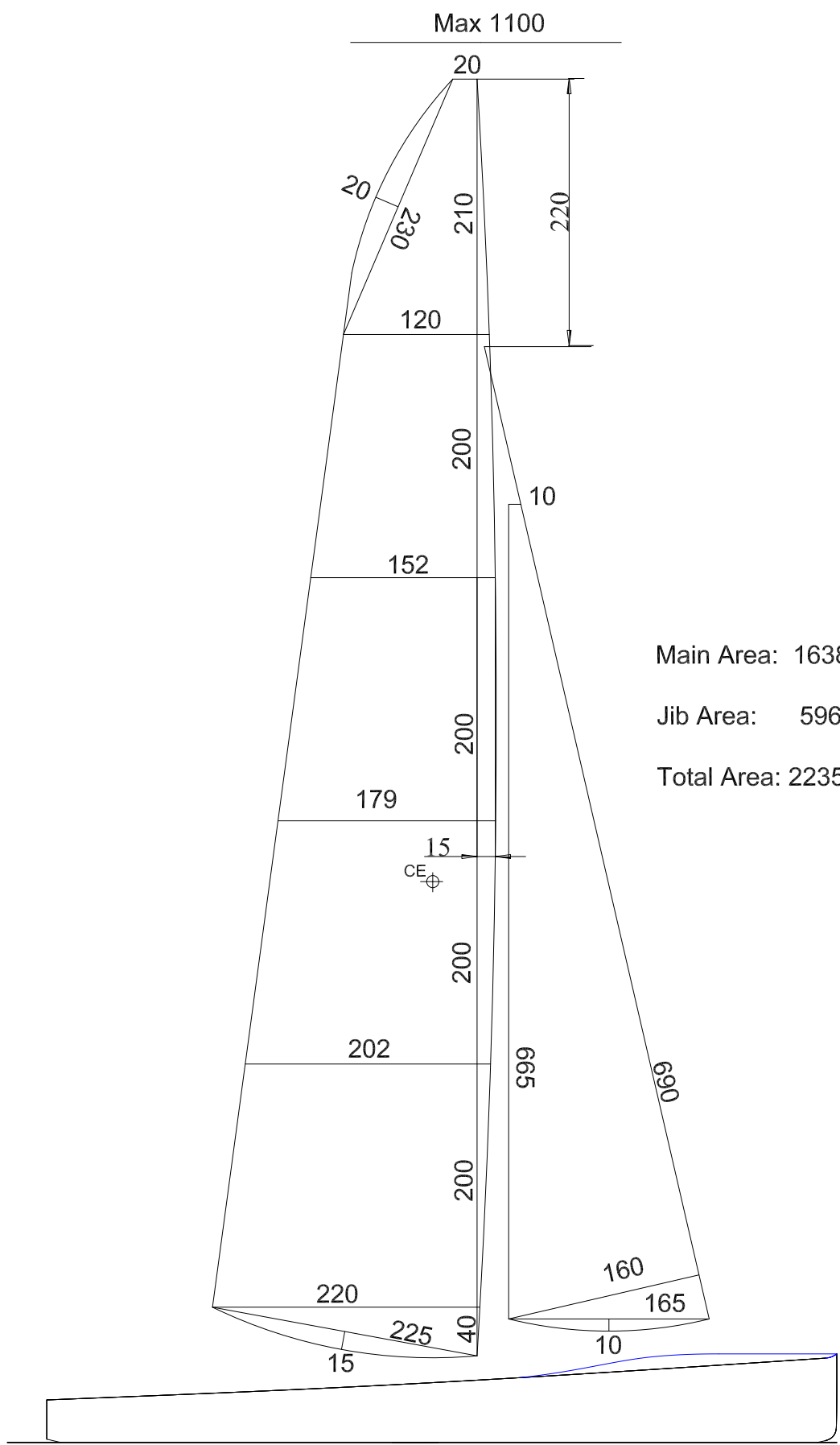
© Frank Russell 2013

Main Area: 825.0 cm²
 Jib Area: 502.5 cm²
 Total Area: 1327.5 cm² 60%



Main Area: 1111.0cm²
 Jib Area: 691.0 cm²
 Total Area: 1802.0 cm² 80%

RG - 65
 Conventional Sail Plan B and C
 Scale 1:5
 Dwg 2 of 4 161212



Main Area: 1638.7 cm²

Jib Area: 596.3 cm²

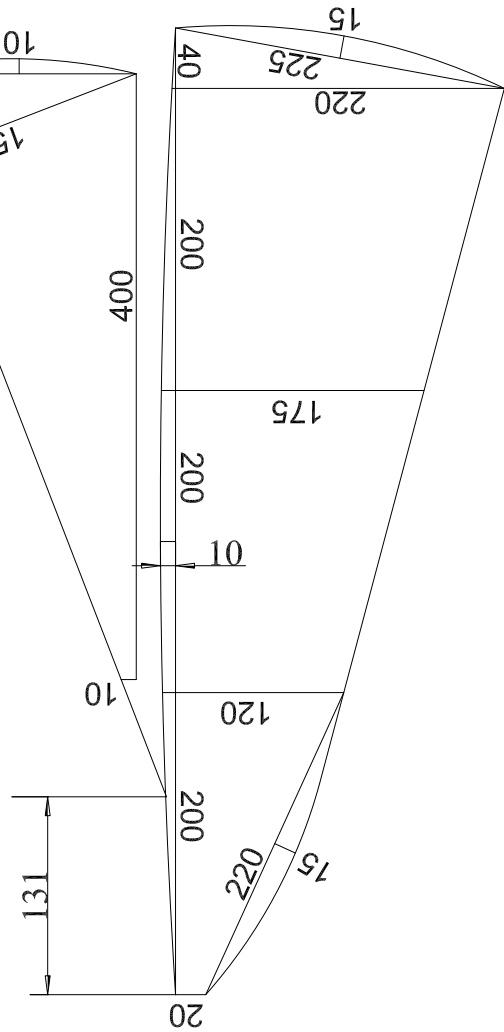
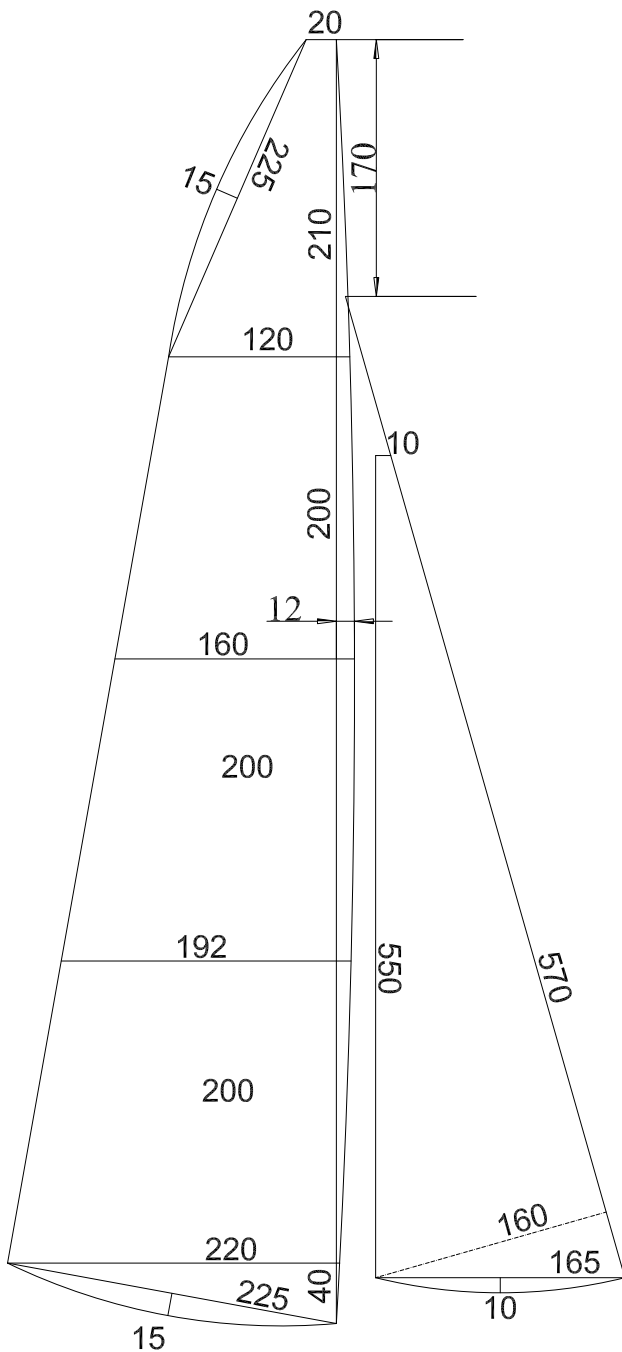
Total Area: 2235.0 cm² 100%

RG - 65
 Swing Rig Sail Plan A
 Scale 1:5
 Dwg 3 of 4 161212

Main Area: 1280.0 cm²

Jib Area: 494.5 cm²

Total Area: 1774.5 cm² 80%



Total Area: 1282.8 cm² 60%

Jib Area: 364.3 cm²

Main Area: 918.5 cm²

RG - 65

Swing Rig Sail Plan B and C

Scale 1:5

Dwg 4 of 4 161212

© Frank Russell 2013